

SCES-EDGE

Securely connect to the cloud

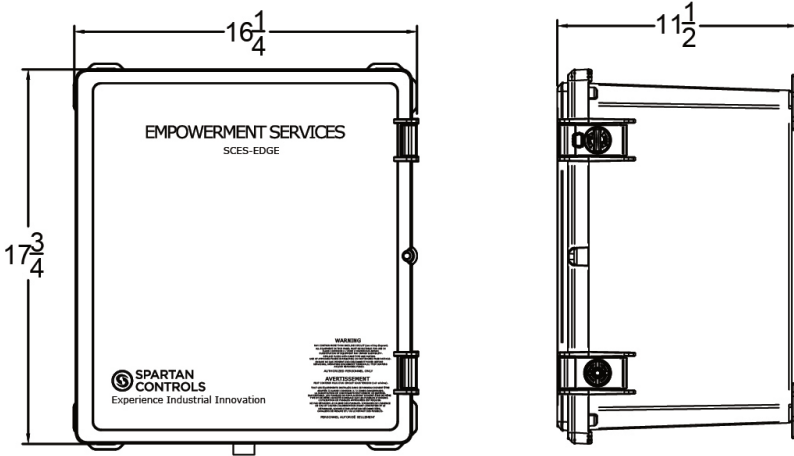
Many modern instruments provide rich datasets that extend beyond simple operating parameters. Device health, diagnostic information, and remote connectivity support are all very common features of field instruments. However, despite the availability of this valuable information, many systems are designed without considering its use, or that specialist knowledge is required to properly utilize it.

By installing the SCES-EDGE in the field, islands of data can be accessed and connected to Spartan Empowerment services.



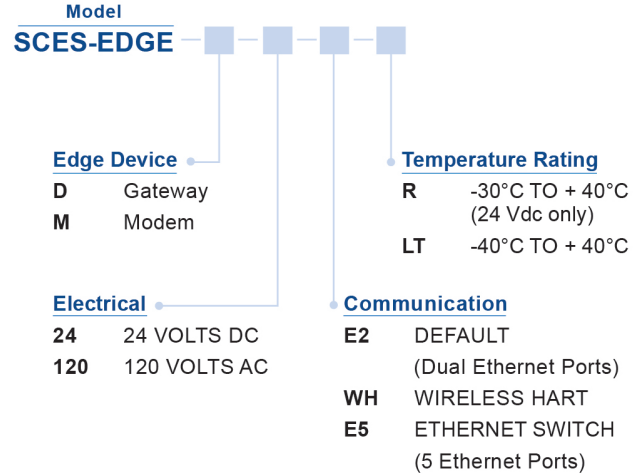
Application

The SCES-EDGE can function as a standalone unit connected directly to the device, as a communication gateway for existing SCADA systems, or as a combination



Options

Use this coding system to order



Technical Specifications	
Environment	Edge-24: -30/-40°C to +40°C Edge-120: -40°C to +40°C
Dimensions	17 3/4" x 16 1/4" x 11 1/2" (451mm x 412mm x 292mm)
Weight	10-12 Lbs. (4.5 - 5.5 kg)
Ingress Protection	NEMA 3R
Power Requirements	Edge-24: 12-24 VDC +/-15% , 31W (includes Heater) Edge-120: 120 VAC 16W
Area Classification	CLASS I, DIVISION 2 GROUPS C & D, T3
Cloud Communication	Private LTE Cellular, Outbound Internet
Device Communication	(1x) RS232 (4x) RS485 Serial Ports (2x) Ethernet (5x Optional) WirelessHART (Optional)